



**PUMP MEASURE CONTROL**  
Fuel Dispensing and Metering Solutions

# Commander Fleet Dispenser

The Commander dispenser is designed to give many years of trouble free service in the harsh environments of fleet and marine fueling operations. This is evident in the heavy duty frame and components used in its construction.

The hydraulic system utilizes aluminum castings with flanged connections for ease of maintenance. The dispenser can be configured for either single or dual hose operation using either 20 GPM and/or 60 GPM meters. As a dual hose dispenser, the two sides are electrically and hydraulically separate, lowering the risk that both sides will be disabled due to a single component failure.

Retail and Commercial units are identical with the exception of the displays.

Retail dispensers utilize a triple line, seven digit, backlit LCD displays to show volume, total sale and price per unit of volume. The commercial dispensers use a single line, seven digit display for volume only. The seven digit displays give the CMDR dispenser the capacity to handle transaction information up to 99,999.99.

Communications with a POS system can be accomplished using one of two methods. The dispenser can communicate via a two-wire EIA-485 interface using PMC's protocol or via a 'hard' wired interface. Using the 'hard' wired interface, the dispenser can mimic a mechanical dispenser, allowing it to interface with most POS and card systems. Contact PMC for a current list of devices supporting the PMC protocol.



- ◆ 20 & 60 GPM configurations
- ◆ Single or dual hose
- ◆ Piston or rotary PD meters
- ◆ 2-Stage control valve
- ◆ Satellite capable (60 GPM units)
- ◆ Resale accurate
- ◆ Communications interface
- ◆ Dual sided retail or commercial electronic displays
- ◆ Programmable pulse output
- ◆ Powder coated welded chassis
- ◆ Powder coated Panels
- ◆ ETL listed



[www.pmc-ga.com](http://www.pmc-ga.com)

# Commander Fleet Dispenser

## SPECIFICATIONS

### MODELS

Actual delivery rates will vary, depending upon the design of the fuel system, length of hose, type of nozzle, etc.

CMDR2000**G	Single hose/single product <b>SIDE 1:</b> 20 GPM <b>SIDE 2:</b> N/A
CMDR2200**G	Dual hose/dual product <b>SIDE 1:</b> 20 GPM <b>SIDE 2:</b> 20 GPM
CMDR2600**G	Dual hose/dual product <b>SIDE 1:</b> 20 GPM <b>SIDE 2:</b> 60 GPM
CMDR6000**G	Single hose/single product <b>SIDE 1:</b> 60 GPM <b>SIDE 2:</b> N/A
CMDR6600**G	Dual hose/dual product <b>SIDE 1:</b> 60 GPM <b>SIDE 2:</b> 60 GPM

### CONSTRUCTION

Chassis: Powder coated mild steel.  
Panels: Powder coated galvalneal.

### DISPLAYS

Seven digit backlight LCD displays with UV blocking acrylic windows.

#### Capacities (\*typical for US gallons)

	Retail	Commercial
Total Sale	99999.99	N/A
Total Volume	99999.99	99999.99
Unit Price	0.001– 99.999	N/A

*\*Location of decimal point is programmable*

### SUPPLY CONNECTION

1-1/2" NPT except model 6600 series which is 2" NPT.

### FILTRATION

Single element spin-on cartridge (20 GPM meter)  
Inlet strainer (60 GPM meter)

### METER

1" positive displacement meter (1-20 GPM)  
1-1/2" positive displacement meter (6-60 GPM)

### SOLENOID VALVE

2-stage 1" (20 GPM meter)  
2-stage 1-1/2" (60 GPM meter)

### HOSE CONNECTION ON OUTLET

20 GPM models: 1" female NPT  
60 GPM models: 1-1/2" female NPT

### MAXIMUM WORKING PRESSURE

50 PSI.

### VOLTAGE AND FREQUENCY

USA Standard: 120 VAC/60 Hz  
International: 120/240 VAC, 50/60 Hz

### PULSE OUTPUT (standard)

Programmable pulse output provided for connection to console / card access system. Selectable for money or volume pulse. Volume pulse resolution: 10 or 100 pulses per volume.

### COMMUNICATIONS INTERFACE

2-wire EIA-485 communications interface

### APPROVALS

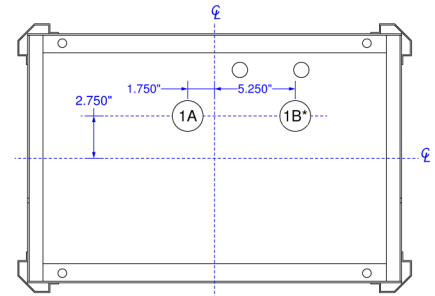
ETL Listed. — Weights and Measures sealable for retail sale of fuel.  
NTEP Certificate number: 13-077

### NOZZLE COMPATABILITY

11A Style, 7H Style, and 1290 Style through 1-1/2". Contact factory for other types.

#### SINGLE PRODUCT / SINGLE HOSE

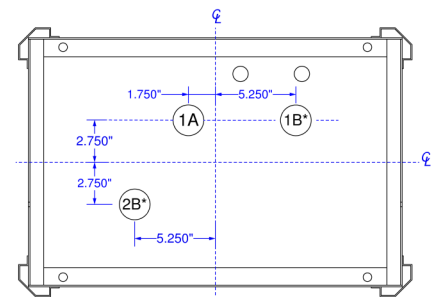
1A - INLET SIDE 1  
1B\* - SATELLITE FEED SIDE 1



**SIDE 2      SIDE 1**  
**DISPENSER FRONT**

#### SINGLE PRODUCT / DUAL HOSE

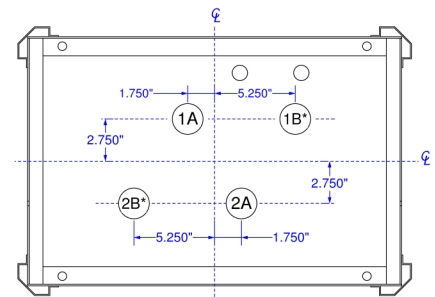
2B\* - SATELLITE FEED SIDE 2      1A - INLET SIDE 1 & SIDE 2  
1B\* - SATELLITE FEED SIDE 1



**SIDE 2      SIDE 1**  
**DISPENSER FRONT**

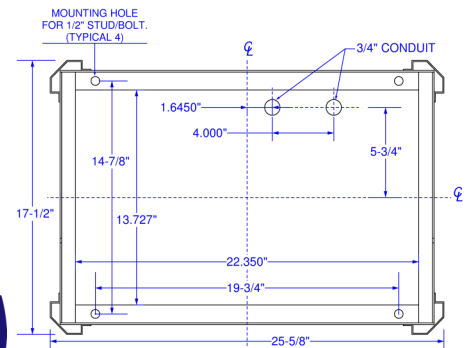
#### DUAL PRODUCT / DUAL HOSE

2A - INLET SIDE 2      1A - INLET SIDE 1  
2B\* - SATELLITE FEED SIDE 2      1B\* - SATELLITE FEED SIDE 1

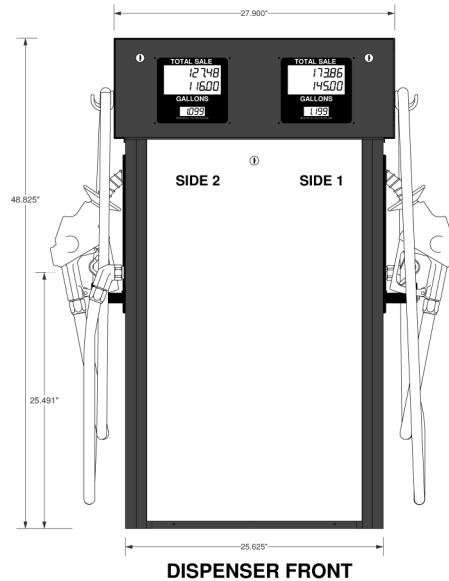


**SIDE 2      SIDE 1**  
**DISPENSER FRONT**

#### FRAME DIMENSIONS COMMON TO ALL MODELS



**SIDE 2      SIDE 1**  
**DISPENSER FRONT**



**DISPENSER FRONT**

