



PUMP MEASURE CONTROL
Fuel Dispensing and Metering Solutions

Fuelhouse Aviation Dispenser

The 510 series Fuelhouse dispensers are capable of fuel delivery rates up to 35 GPM. The units contain a 1½" positive displacement rotary meter, a 1" 2-stage solenoid valve, and a 1" hose reel with stainless steel internals. The hose reel is available with capacities of 85' and 100'. The larger reel is equipped with electric hose rewind while the smaller has spring powered rewind. The nozzle boot accommodates an OPW 295SAx style nozzle. A 7H or 1290 style nozzle boot is optional.

The 515 series dispensers are capable of fuel delivery rates up to 60 GPM. The units contain a 1½" positive displacement rotary meter and a 1½" hose reel with aluminum internals. A 1½" nickel plated solenoid valve is combined with a stainless low flow valve for 2-stage fueling. The hose reel on the FH-515 has a capacity of 85'. The nozzle boot accommodates an OPW 295SAx style nozzle. A 7H or 1290 style nozzle boot is optional.



Commercial electronic dispensers are fitted with a 6 digit backlit LCD display and a non-resettable electromechanical totalizer. A programmable volume pulse output is standard.

Retail electronic dispensers calculate both volume and money. Six digit, backlit LCD displays are provided for both volume and money readouts. The price per gallon display is 4 digits and 0.5" high. The pulse output from the dispenser is programmable for either money or volume. When set for volume pulse output, the resolution is programmable for 1, 10, or 100 pulses per gallon.

- ◆ 35 & 60 GPM configurations
- ◆ For AVGAS and JET FUEL applications
- ◆ 1" or 1½" internal reel options
- ◆ Electric or spring rewind
- ◆ Liquid Controls CLASS 2 PD meter
- ◆ Wetted Parts are stainless steel, aluminum, or nickel plated brass
- ◆ Resale accurate
- ◆ Stainless steel enclosure
- ◆ Commercial or retail electronic display
- ◆ Powder coated frame and face
- ◆ Optional ALL stainless steel construction



www.pmc-ga.com

Fuelhouse Aviation Dispenser

SPECIFICATIONS

MODELS

FH-510-AV-1A . Fuelhouse dispenser with 1+stainless reel, spring rewind.
 FH-510-AV-2A . Fuelhouse dispenser with 1+stainless reel, power rewind.
 FH-515-AV-4A . Fuelhouse dispenser with 1-1/2+stainless reel, power rewind.

PERFORMANCE

FH-510 series . rated up to 35 GPM
 FH-515 series . rated up to 60 GPM
 - Actual delivery rates will vary, depending upon the installation conditions, product dispensed and the size of the submersible pump.

CABINET

Frame: Powder coated steel.
 Panels: 304 series brushed finished stainless steel.

DISPLAYS

Six digit backlight LCD displays with UV blocking acrylic windows.

	Capacities	
	Retail	Commercial
Total Sale	9999.99	9999.99
Total Volume	9999.99	N/A
Unit Price	0.001. 9.999	N/A

Electromechanical non-resettable totalizer.

FILTRATION

Internal filtration is available as an option. Contact factory for details

METER

Liquid Controls high flow, rotary motion, positive displacement meter.

SOLENOID

FH-510 Series - 1+normally closed, 2-stage
 FH-515 Series - 1-1/2+normally closed, 2-stage

SUPPLY CONNECTION

FH-510 Series - 1-1/2+NPT.
 FH-515 Series - 2+NPT.

MAXIMUM WORKING PRESSURE

50 PSI.

VOLTAGE AND FREQUENCY

120VAC 60 Hz, 240VAC 50 Hz optional.

PULSE OUTPUT (standard)

Programmable pulse output provided for connection to console / card access system. Selectable for money or volume pulse. Volume pulse resolution: 10 or 100 pulses per volume.

COMMUNICATIONS INTERFACE (optional)

EIA-485 communications interface for connection to console / card access system.

APPROVALS

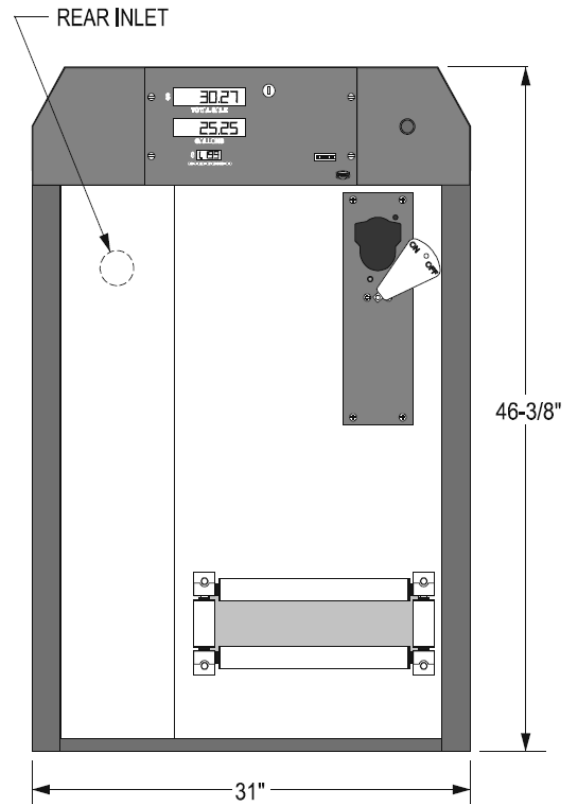
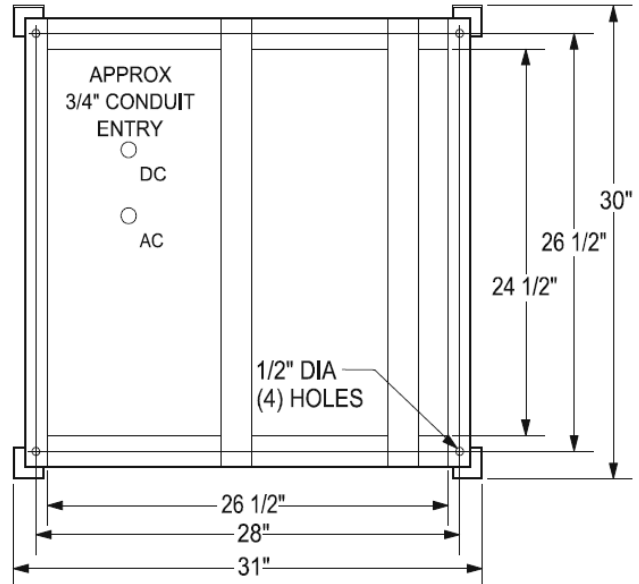
ETL Listed. . Weights and Measures sealable for retail sale of fuel.
 NTEP Certificate number: 04-018

HOSE

None provided. Customer supplied hoses can be installed upon assembly.
 FH-510-AV-1A . Maximum capacity . 1+x 85 feet.
 FH-510-AV-2A . Maximum capacity . 1+x 120 feet.
 FH-515-AV-4A . Maximum capacity . 1-1/2+x 85 feet.

NOZZLE COMPATABILITY

OPW: 295-SA(x) Aircraft - Standard
 7H & 1290 - Optional (contact factory)
 EBW: 495 Aircraft (contact factory)



TYPICAL FUELHOUSE AVIATION DISPENSER

