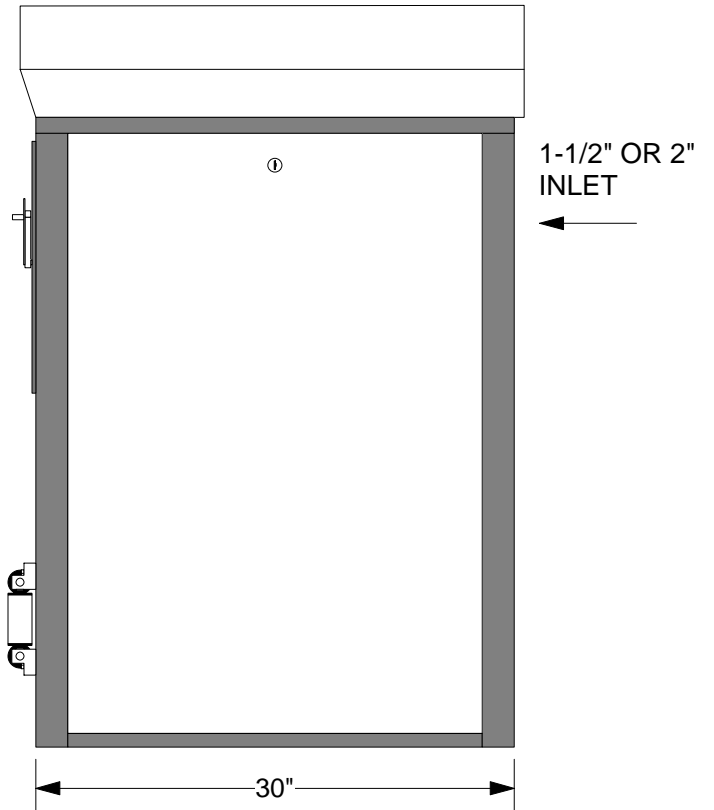
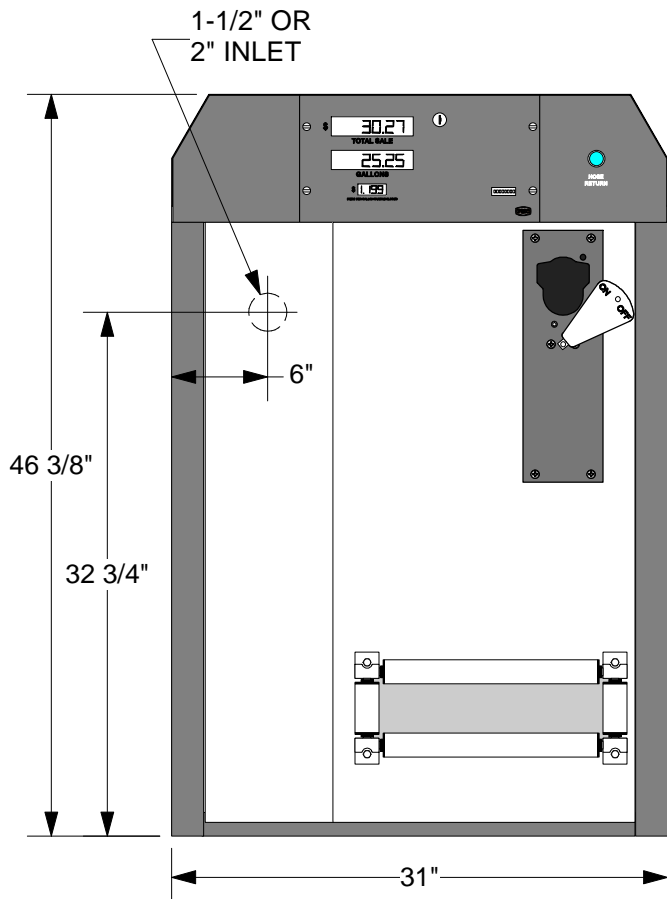
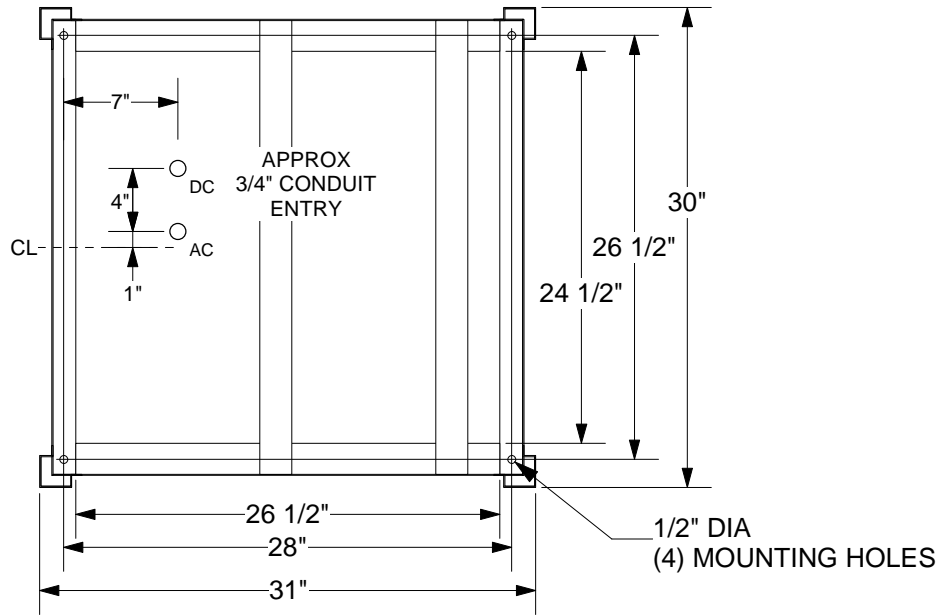



REVISIONS		
NO.	DESCRIPTION	DATE



\*ALL DIMENSIONS APPROXIMATE

 <b>Pump Measure Control, Inc.</b> 1070 Nine North Drive, Suite 100 Alpharetta, GA 30004 PH. 770-667-0667 FAX 770-667-0476 DRAWING NUMBER: 91-09G194	<b>FH-510-AV-1A DIMENSIONS</b>	
	DATE: 6/28/02 SCALE: NTS	DRAWN BY: CAT
*THIS DRAWING CONTAINS PROPRIETARY INFORMATION AND IS SUBJECT TO COPYRIGHT OWNERSHIP BY PMC, INC.*		