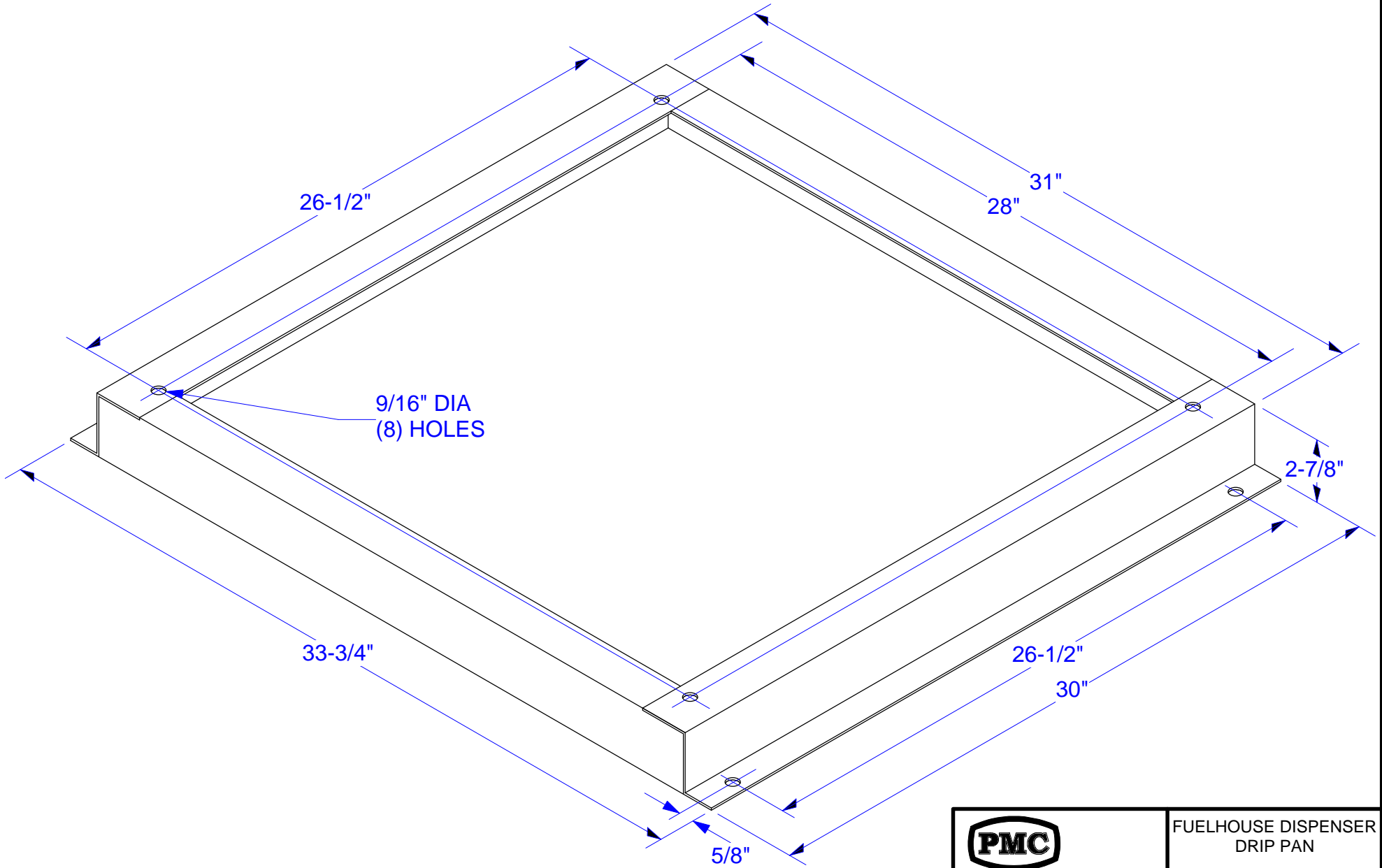



REVISIONS		
NO.	DESCRIPTION	DATE



CONTAINMENT: 11 US GAL
 MATERIAL: 304 Stainless Steel

 Pump Measure Control, Inc. 1070 Nine North Drive, Suite 100 Alpharetta, GA 30004 PH. 770-667-0667 FAX 770-667-0476 DRAWING NUMBER: 91-05A08	FUELHOUSE DISPENSER DRIP PAN	
	DATE: 2/1/05	DRAWN BY: CAT
	SCALE: 1" = 5"	
	<small>*THIS DRAWING CONTAINS PROPRIETARY INFORMATION AND IS SUBJECT TO COPYRIGHT OWNERSHIP BY PMC, INC.*</small>	